



# Outcross™ 9060

TURF UTILITY VEHICLE

## FEATURES

**Turf-friendliness** – The Outcross 9060's unique electronically controlled four-wheel steer and four-wheel drive system provide turf friendliness and maneuverability. Each wheel turns and spins independently for gentle turning and superior traction. Outcross's balanced design removes the need for front counterweights, making it significantly more delicate on fine turf than an agricultural tractor.

**Consistency** – Set-up and save the parameters for each attachment – one time, upfront – to ensure the machine performs exactly to your specifications. Store settings for up to sixteen attachments for easy use and consistent performance, no matter the skill level of the operator in the seat.

**Versatility** – The Outcross 9060 will always be on the move. With 3-point, drawbar, cargo bed and loader capabilities, the opportunities to maximize this investment are near endless. The Outcross 9060 does the work of multiple machines in one compact package. Put your investment to work every day and receive consistency, efficiency, and reliability in return.

**Control** – Operation is simple and intuitive. The Outcross 9060 has a hydrostatic drive system, eliminating the need for an operator who is proficient with the complicated controls and shifting commonly associated with an agricultural tractor. Cruise control, shuttle shifting, a passenger seat, and one-action controls add to the ease-of-use and efficiency.

## Do More.

The Outcross 9060 is an invaluable tool in the long-standing battle Turf Managers face to “do more with less.” This machine is a time-saving, easy-to-use, multi-purpose, turf-friendly workhorse that brings year-round flexibility, consistency and productivity to turf maintenance operations. Get ready to do more. The Outcross is the first machine of its kind to be purpose-built for the management of fine turf. Its balanced design, four-wheel steer, and four-wheel drive make it extremely gentle on turf. Keep busy year-round by utilizing Outcross's 3-point hitch, drawbar, or front loader. Mow grass, spread fertilizer, load sand, haul a pallet of sod, aerate, topdress, remove snow and ice, blow leaves, prune roots, spread seed, tow a trailer, sweep a path, chip wood, and much, much more. Intuitive automotive-style controls and one-time parameter setup keeps operations simple and efficient.

[toro.com/outcross](http://toro.com/outcross)



# Outcross 9060 Specifications

	OUTCROSS 9060 MODEL 07511	OUTCROSS 9060 W/ CAB	OUTCROSS 9060 W/ LOADER ARMS	OUTCROSS 9060 W/ LOADER ARMS & CAB
<b>ENGINE</b>	Yanmar® 4-cylinder, direct injection, turbo-charged, liquid-cooled diesel. Power: 59.8 hp (44 kW) gross, @ 3000 rpm. Displacement: 127.6 cu. in. (2.091 L) EPA Tier IV Final Compliant.			
<b>FUEL CAPACITY</b>	14 gallons (53 L)			
<b>TRACTION DRIVE</b>	2-speed hydrostatic			
<b>PTO</b>	Rear independent mechanical up to 540 rpm. Power: 51 hp (38 kW)			
<b>INSTRUMENTATION</b>	<b>InfoCenter™.</b> Onboard LCD displays for attachment parameter setup and to show gauges, alerts/faults, service reminders, electrical system diagnostics. Indicates fuel level, coolant temp, intake temperature, low oil pressure, alternator, engine hours, engine rpm, hydraulic oil temperature, voltage.			
<b>GROUND SPEED / CLEARANCE</b>	Forward: 21.5 mph (34.6 km/h) Reverse: 20 mph (32.2 km/h) Ground Clearance: 8" (203 mm)			
<b>HYDRAULICS</b>	Open center with total capacity of 20 gpm (75.7 lpm)			
<b>AUX / REMOTE</b>	12 gpm @ 3000 psi			
<b>CERTIFICATION</b>	Certified to meet SAE J2194			
<b>WARRANTY</b>	Two-year limited warranty. Refer to operators manual for further details.			
<b>DIMENSIONS &amp; WEIGHT</b>				
<b>LENGTH</b>	Front Bumper to 3-point Linkage: 161" (409 cm)		Mounting Plate to Counter Weight End: 202.5" (514 cm)	
<b>WIDTH</b>	Without Bed – 72" (183 cm)		With Bed – 77" (195 cm)	
<b>HEIGHT</b>	94" (239 cm)	97" (246 cm)	94" (239 cm)	97" (246 cm)
<b>WEIGHT</b>	5,160 lbs. (2,341 kg)	5,505 lbs. (2,497 kg)	6,245 lbs. (2,833 kg)**	6,590 lbs. (2,989 kg)**
<b>TURNING RADIUS</b>	57" (145 cm)			
<b>OUTSIDE TURNING DIAMETER</b>	300" (762 cm)			
<b>WHEELBASE</b>	83" (210 cm)			
<b>TIRES</b>	<b>Standard:</b> Front: 29.5 x 12 Rear: 32 x 16 <b>Aggressive:</b> Front: 29.5 x 12 Rear: 32 x 12			
<b>TRACK WIDTH</b>	57.5" (146 cm)			
<b>3 POINT HITCH</b>	Category 2 Lift capacity at 24" Lift Point: 2,500 lbs. (1,135 kg)			
<b>BED DIMENSIONS</b>				
	Standard Bed		Cargo Bed	
<b>CAPACITY</b>	1,000 lbs. (453.6 kg)		4,500 lbs. (2,041 kg)	
<b>LENGTH</b>	Bottom: 19" (48.2 cm) Top: 27" (68.6 cm)		52" (132 cm)	
<b>WIDTH (INSIDE)</b>	73" (185 cm)			
<b>HEIGHT (INSIDE)</b>	16" (40.6 cm)			
<b>LOAD HEIGHT (INSIDE)</b>	38" (88 cm)			
<b>VOLUME</b>	0.77 cubic yards (0.59 cubic meters)		1.3 cubic yards (0.99 cubic meters)	
<b>FRONT LOADER</b>				
<b>LIFT CAPACITY (PIVOT PIN)</b>	2,200 lbs. (998 kg)			
<b>LIFT HEIGHT (PIVOT PIN)</b>	107" (272 cm)			
<b>REACH AT MAX LIFT HEIGHT</b>	33" (84 cm)			

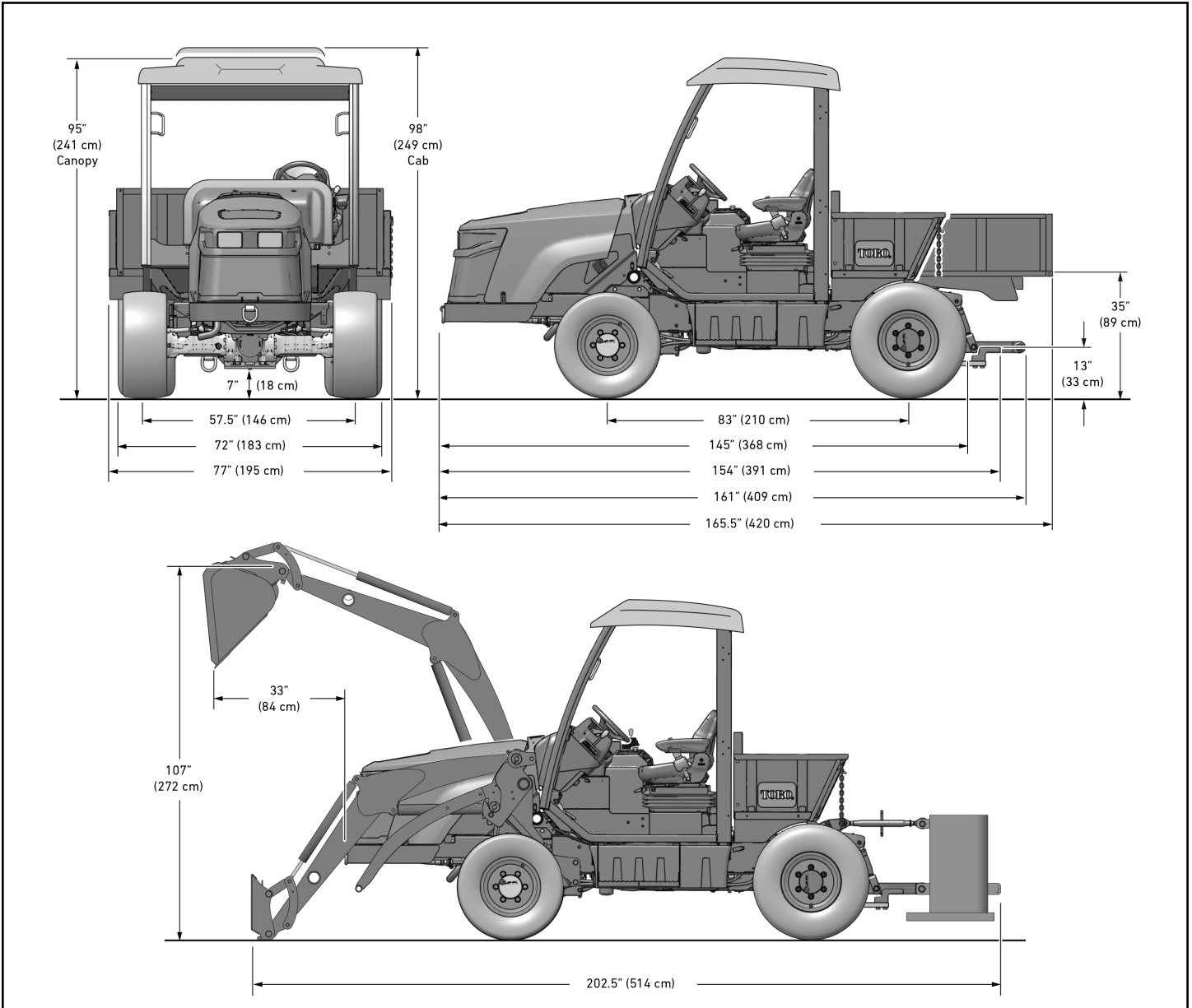
\*Specifications and design subject to change without notice. Products depicted in this literature are for demonstration purposes only. Actual products offered for sale may vary in design, required attachments and safety features. Consult your local Toro Distributor. Refer to Operator's Manual for further information and instructions.

\*\*Without loader attachment and recommended 1,800 lbs. (816.5 kg) rear counter weight





# Outcross 9060 Dimensions



\*Specifications and design subject to change without notice. Products depicted in this literature are for demonstration purposes only. Actual products offered for sale may vary in design, required attachments and safety features. Consult your local Toro Distributor. Refer to Operator's Manual for further information and instructions.

